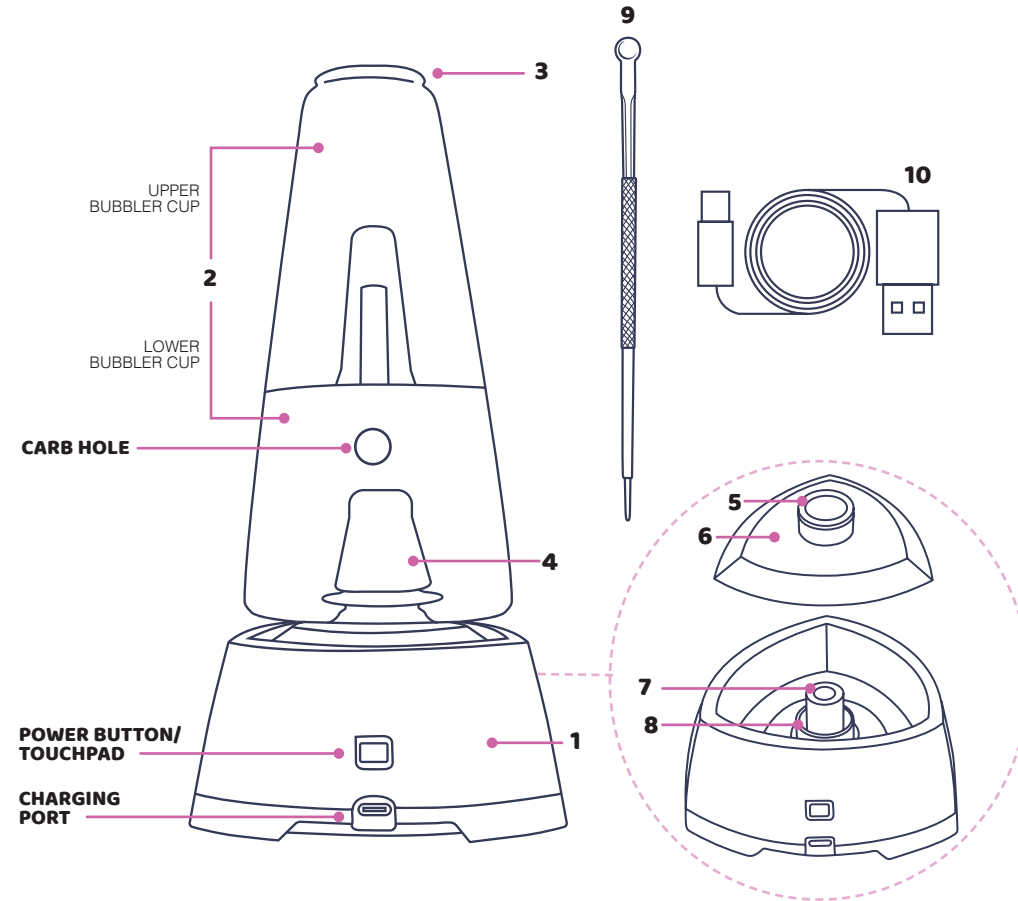




Enjoy Higher Culture®

Thank you for purchasing the Pulsar® Sipper! Combining all the functionality of a hands-free auto-filling glass bubbler with the timeless style of a lava lamp, this Pulsar device is ready to take your next session to the max! Whether you prefer wax concentrates or 510 oil cartridges, the Sipper provides cool water-filtered hits just the way you like it.

⚠ In order to ensure safe use, please read all instructions and safety warnings before operating. Failure to follow instructions may result in injury and may void your warranty.



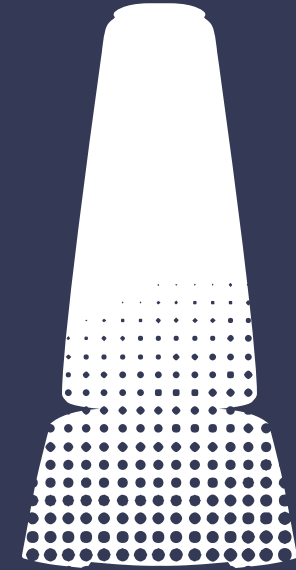
KIT CONTENTS

- | | |
|----------------------|-----------------------------|
| 1. Sipper base | 6. Atomizer/cartridge cover |
| 2. Glass bubbler cup | 7. Wax atomizer |
| 3. Mouthpiece | 8. 510 connection |
| 4. Airflow valve | 9. Dab tool/poker |
| 5. Airflow silicone | 10. USB-C charging cable |

PULSAR[®]
ENJOY HIGHER CULTURE[®]



PULSARVAPORIZERS.COM



PULSAR[®]

Sipper

IMPORTANT SAFETY WARNINGS

- Do not expose to extreme temperatures or direct sunlight for prolonged periods.
- Do not drop the Sipper or accessories.
- Do not drop or submerge the base in any liquid.
- Do not modify the electronics in any way.
- This device is intended for adults only. Do not sell or provide to minors. Keep all parts, concentrates, herbs, and liquids away from children and pets. This is not a medical device and is not intended to diagnose, treat, mitigate, cure, or prevent any ailment, disease, or other conditions. Consult a physician before use, especially if you suffer from heart disease or any other medical condition, or if you are pregnant or breastfeeding. Failure to follow any of these instructions could result in product damage, property damage, personal injury, and may void warranty.

FEATURES & SPECIFICATIONS

Auto filling • Bubblers cup • Triple quartz coil • USB-C charging

Size: 4.3"/10.9cm x 4.3"/10.9cm x 8.85"/22.5cm

Input: 4.4-6.0V 1A

Battery Capacity: 1500mAh

Atomizer Resistance: 1ohm

Voltages: **Yellow - 2.5v** **Blue - 3v** **Green - 3.5v** **Red - 4.2v**

ASSEMBLY

Remove the atomizer/cartridge cover from the Sipper base and screw the wax atomizer or cartridge (not included) into the 510 connection then replace the cover. The light around the touchpad will flash the current voltage to show a successful connection has been made if the Sipper is already on. Put the two pieces of the airflow valve together before inserting it into the bottom of the bubbler cup. Now place the bubbler cup on top of the cover, lightly pressing down so there is a good fit. This should not require a lot of pressure.

LOADING

Remove the bubbler cup from the cover and then remove the cover from the base. With the wax atomizer connected, load a small amount of concentrate into the atomizer. About a half grain of rice is all that is needed; be sure not to overfill the atomizer. Then replace the cover and sit the bubbler cup back on top.

⚠ ATTENTION! Do not touch the coils with metal dab tools while the Sipper is working.

USAGE

- **Power On/Off** - Press the touchpad with the tip of your finger 5 times to turn on the Sipper, the light around the touchpad will flash to let you know it is on and the battery life.

Green - 100% - 70% **Blue - 70% - 30%** **Red - 30% - 0%**

NOTE: The Sipper will automatically turn off after 10 minutes of inactivity.

- **Operating Wax Atomizer** - With the Sipper turned on, press the touchpad 3 times to change your voltage. Once you have your voltage selected, touch and hold the touchpad. You will hear the pump activate and see the vapor start filling the lower bubbler cup. Be sure to not cover the carb hole in the bubbler cup while it is filling. Once the lower bubbler cup is filled, cover the carb hole, pull the bubbler cup off the base, and inhale through the mouthpiece.

- **Operating 510 Cartridge** - Remove the wax atomizer and unscrew the 510 connection before inserting a .5ml or 1ml 510 cartridge to the 510 connection, then screw the 510 connection back into the base. Replace the cover and sit the bubbler cup back on top. Press the touchpad 5 times to turn on the Sipper, the light around the touchpad will flash to let you know it is on. Press the touchpad 3 times to select your voltage. Once you have your voltage selected press and hold the touchpad and you will hear the pump activate and see the vapor start filling the lower bubbler cup. Once the lower bubbler cup is filled, cover the carb hole, pull the bubbler cup off the base, and inhale through the top.

NOTE: The Sipper works with most cartridges but not all cartridges.

AUTO MODE

Alternatively, you can press the touchpad 2 times to start the auto filling mode. The Sipper will run for 1 minute continuously. Once you see the bubbler cup is full press the touchpad 1 time to stop the auto mode. Depending on the cartridge your lower bubbler cup may fill before the 1 minute is up.

Pro tip: This mode may be able to clear small clogs that could occur in the cartridge or atomizer. If it takes more than 20 seconds, disable Auto Mode and use the included dab tool as a poker to manually clear the clog.

CLEANING

Take apart the unit completely for cleaning. First, remove airflow valve and separate the two pieces. Next, remove the atomizer/cartridge cover from the base of the unit and remove the airflow silicone. Lastly, remove the atomizer or cartridge from the 510 connection, and unscrew 510 connection from the base.

Glass: Wipe the lower bubbler cup with an alcohol wipe until all the residue has been removed. For the upper bubbler cup, pour 91% alcohol or glass cleaner in the top and let it sit until all the residue has been dissolved. Alternatively, you could put the entire bubbler cup into 91% alcohol or glass cleaner and wait till the residue is dissolved.

Silicone Parts, 510 Connection, Base: Use an alcohol wipe or a cotton swab and 91% alcohol to clean off the build up on all of the silicone parts and 510 connection. Use a cotton swab and 91% alcohol to clean any buildup beneath the 510 connection.

TROUBLESHOOTING

Dead Coil / No Connection: When the coil burns out or is not making a proper connection the light will flash red 3 times. Try removing and reinstalling the wax atomizer to reset connection. Otherwise, replace with a new wax atomizer.

Low Battery Indicator: When the battery is less than 5% the light will flash red 8 times and the Sipper will power off. Use the USB-C charging cable to recharge the Sipper until the touchpad light turns green.

For warranty servicing, contact us at [PulsarVaporizers.com](https://www.pulsarvaporizers.com).